

# GARAGE DOOR OPENERS



Safety and comfort  
through technology



# MOV ING

As a leading manufacturer of door opener and control systems, our mission is to equip doors with Marantec openers and to make them as safe and convenient as possible using the very latest technology.

## Innovations produced since 1957

We have been developing and producing innovative automatic door opener and control systems as well as accessories at our headquarters in East Westphalia in Germany for all kinds of doors since 1957. This includes garage doors, swing and sliding gates, industrial doors and parking barriers. Our extensive experience has allowed us to become experts in our field. Our expertise is also invaluable when it comes to designing products that we know people will deeply appreciate.

## Door opener technology made in Germany

All of the technologies and components for our openers are consistently developed by Marantec engineers, from start to finish. They are subsequently manufactured in our own specialist production facilities in Germany. The result is one of the safest opener systems in the world.





## Quality tested

We test all of our Marantec garage doors openers on doors of all door manufacturers in our own test centre. Our openers are also produced using only durable high quality materials which ensure that you will be able to enjoy your opener for many years to come. And, because we know that our openers are of extraordinary high quality, our Comfort 260, 270, 280 and Comfort 360, 370, 380 openers all come with a 5-year warranty.



## Certified safety

All of our openers are certified by recognised independent institutes after development. They consequently meet all of the statutory standards such as the European Standard DIN EN 13241-1 for industrial and commercial garage doors and gates. Our company is also ISO 9001 certified.

EN 13241-1



# TRUST

Safety creates trust.

Trust is the foundation for security and a sense of well-being.

Doors fitted with Marantec openers protect people and property, prevent doors from unintentionally closing, are highly tamper-resistant, can be used on any door, are not affected by power cuts, will let you know if something is not working properly and comply with all European and international standards.

## Break-in proof



### Triple break-in protection

Our openers are equipped with three mechanisms that will protect your door or gate from being opened by unauthorised persons. These mechanisms are: 1. The natural self-locking mechanism of the drive unit, 2. The electronically monitored push-open security device and 3. Our SafeLock rails, which, fitted together with our expansion kit, mechanically protect doors from being pushed up by making an additional locking pawl engage in the rail – a mechanism certified by the Dutch SKG Institute.



Sensitive

Dependable

The desire  
for  
safety



**Patented force limitation** EP 0771923B2

Our openers are highly sensitive to obstacles. They will stop immediately if a door touches an object even just lightly and will move back to free the object and not damage it. This means that people, animals and objects are safely protected.



**Additional safety provided by photocells**

The photocells monitor the area around the garage door and stop the opener immediately if there is an object in the way that interrupts the beam of light. There are also two LEDs that indicate whether the photocell is correctly aligned or not working properly because of dirt or similar reasons.

# EASE

Comfort brings contentment. Ease and flexibility make us feel good.

Doors fitted with an automatic Marantec opener are simple to operate at the touch of a button and, wherever appropriate, can be fitted with additional equipment such as holiday mode and lighting functions and upgraded if your needs change. We also provide comprehensive customer services and are always quick to respond if you need help.



## Communicative



### Status messages from bi-linked

Our **bi-linked** transmitters not only open or close your doors at the push of a button, they will also let you know what position your door is at any given moment. This means that, if your door is out of view and you just want to check that it is shut, you can simply check on your **bi-linked** transmitter.



## Silent

## Rapid



### Quiet as can be

Marantec openers move without making a sound. This is because we use only DC technology to make sure that you, your loved ones and neighbours are never disturbed. All of the opener functions also seamlessly interact with one another to guarantee perfect silence.



### Rapid action

To make sure you do not have to wait too long, and to minimise heat loss from your garage, our openers are designed to open doors rapidly – and faster still with our high speed Comfort 370 opener, which will raise your garage door in as little as **9 seconds**.

**speed**

# Garage door openers

## Comfort 360, 370, 380

Built to impress: With their high-gloss white exterior, modern LED light system, high speed opening action, extremely low energy consumption and convenient operating functions.



The right **opener** for you

### Small and beautiful

**Comfort 360:** Equipped with speed function, blueline technology, LED lights. For doors with a weight of up to 110 kg.

### The workhorse

**Comfort 380:** Our most powerful door opener for very wide or heavy garage doors with a weight of up to 220 kg.

### Ultra fast

**Comfort 370:** Our fastest door opener – guaranteed to open your door in no more than around 9 seconds. For doors weighing up to 185 kg.







### Speed function

The speed function operates the door at high speed, in both opening and closing directions. Which means: Less waiting in the car, less heat loss from the garage, greater security if your garage door is located in a high-traffic area.

**speed**

With smart  
features



### Patented energy-saving blueline technology

Our patented blueline technology reduces the opener's energy consumption to virtually nil whenever the opener is not in use. This guarantees that its annual power consumption will amount to no more than about £1,50. This is extremely good news for the environment and of course for you.

**blueline**



### Reliable bi-linked technology

All of our Comfort 300 series openers are operated with our **bi-linked** transmitters – which are extremely safe thanks to their 128-bit encryption and rolling code, and exceptionally convenient thanks to their status indicators and modern design.



### Ventilation position

On request, we can program your opener to move your door into a ventilation position at the touch of a button – allowing you to ventilate your garage in an easy and secure way – without letting anybody in.



### Optional battery backup

The backup battery is designed to ensure that your opener will continue to work during a power cut. It fits straight into the opener housing and features a charge indicator LED. It can also be added at a later stage as an upgrade.

# Garage door openers

## Comfort 260, 270, 280, 260 accu

Our classic and most popular opener. Now in its 5th generation and going strong. Systematically refined and featuring the latest technology: LED lights, door-friendly control system, sensitive obstacle detection system, easy to operate.



The right **opener** for you

### Our standard opener

**Comfort 260:** Comes with everything needed for a standard garage door. For doors with a weight of up to 90 kg.

### Designed with width in mind

**Comfort 270:** Designed for wide garage doors or double garages up to 5 m wide. For doors with a weight of up to 165 kg.

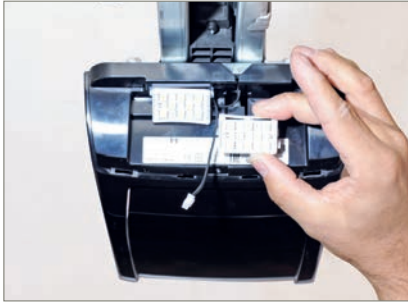
### The battery powered opener

**Comfort 260 accu:** This opener can be operated independently of a power supply and can also be connected to a solar panel.

### Our strongest classic

**Comfort 280:** This is the most powerful of our Comfort 200 series openers and is designed for wide double garage doors and large up-and-over doors. For doors with a weight of up to 200 kg.





### Modern LED lights

Our LED lights are designed to light your garage for maximum visibility and can easily be expanded with a second clip-in LED module\*. The length of the light on-time can be adjusted from between 2 seconds to over 4 minutes. Our LEDs can also be switched on and off easily with your hand transmitter or interior push button.

\* Not available for 260 accu

With smart  
features



### Optionally with battery backup

The battery backup is designed to ensure that your opener will continue to work during a power cut. It can be added to your opener at any stage as an upgrade, and is supplied with a small box and a bracket for mounting it on the wall.



### Reliable bi-linked technology

All of our Comfort 200 series openers are operated with our bi-linked transmitters – which are extremely safe thanks to their 128-bit encryption and rolling code, and exceptionally convenient thanks to their status indicators and modern design.



### Energy efficient

Our Comfort 200 series openers are very energy efficient. When on standby, they only draw the amount of energy needed to respond when next activated.



### Ventilation position

On request, we can program your opener to move your door into a ventilation position at the touch of a button – allowing you to ventilate your garage in an easy and secure way – without letting anybody in.

# The right opener for every **garage door**

Openers for light or heavy, small or large, new and old garage doors. For garages with conventional power supply and those that need to be provided with power using alternative energy sources. We have the right opener for every door and all types of use: Opener + Rail + Mounting Material + Operating Accessories.



**Rail with expansion kit**  
Additional mechanical lock to protect your garage door from being opened by unauthorised persons. This locking pawl acts by engaging with the rail and by doing so preventing the door from being opened.



**Emergency release**  
The emergency release allows you to safely open and close your door in the event of a power cut. Pulling on the release will make the door disconnect from the opener, after which it can be manually operated.



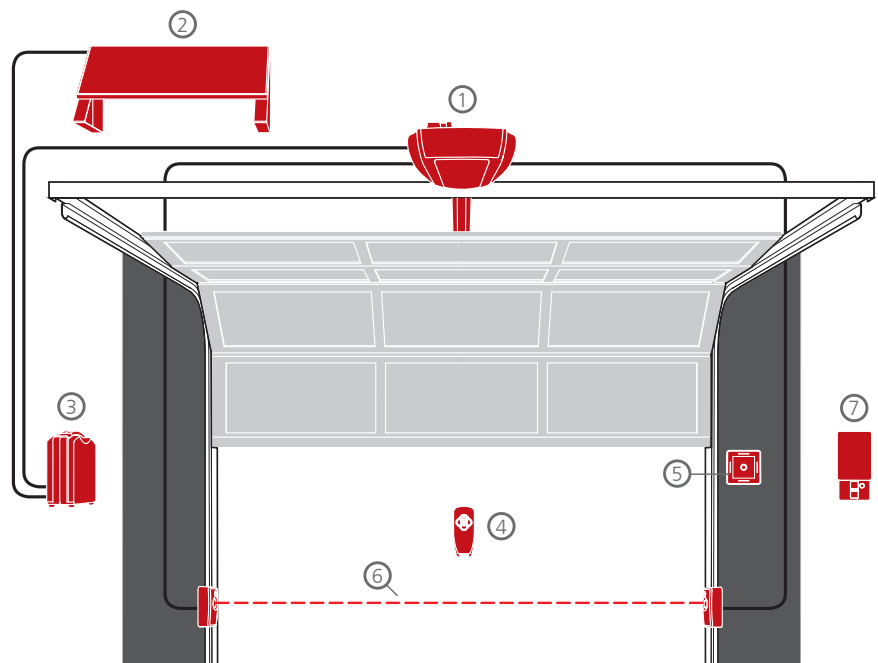
**Reinforced opener rail**  
When using heavier doors, the opener is used with a reinforced rail with double-sided ball bearings.



All of our opener rails are completely maintenance-free and extremely quiet because of their highly-efficient toothed drive belt system.

## For all types of garage doors

- ① Garage door opener incl. rail
- ② Solar module (only with Comfort 260 accu)
- ③ Rechargeable battery / battery backup
- ④ Radio hand transmitter
- ⑤ Radio interior push button
- ⑥ Photocells
- ⑦ Radio code keypad or fingerprint reader



# All technical data at a glance

	Comfort 360	Comfort 370	Comfort 380	Comfort 260	Comfort 270	Comfort 280	Comfort 260 accu
<b>Technical data</b>							
Max. push and pull force (max. N)	650	850	1,100	550	750	1,000	550
Travel speed (max. mm/s)	220	235	180	160	160	160	160
Power consumption / standby (max. W)	0.6	0.6	0.6	4.0	4.0	4.0	0.05
Light equivalent to a light bulb with (W) / can be increased to	80 / 160	80 / 160	80 / 160	40 / 80	40 / 80	40 / 80	40
Battery backup (optional)	Can be integrated into opener	Can be integrated into opener	Can be integrated into opener	<input checked="" type="checkbox"/>	<input checked="" type="checkbox"/>	<input checked="" type="checkbox"/>	<input type="checkbox"/>
Door width (max. m)							
a) One-walled sectional doors	5.0	5.5	6.0	5.0	5.5	6.0	5.0
b) Two-walled sectional doors	3.0	5.5	6.0	3.0	5.5	6.0	3.0
c) Up-and-over doors	3.5	5.0	6.0	3.5	5.0	6.0	3.5
d) Retractable up-and-over and canopy doors up to 2.25 m door height	3.5	5.0	6.0	3.5	5.0	6.0	3.5
Door weight (max. kg)	110	185	220	90	165	200	90
Rechargeable battery, optionally available with a solar module	<input type="checkbox"/>	<input type="checkbox"/>	<input type="checkbox"/>	<input type="checkbox"/>	<input type="checkbox"/>	<input type="checkbox"/>	<input checked="" type="checkbox"/>

# Accessories for that extra bit of safety and comfort

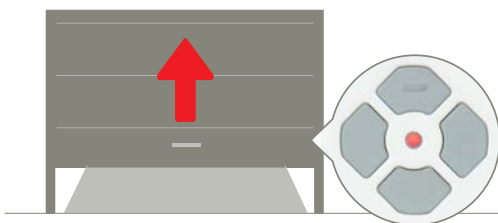
All of our transmitters are modern wireless systems. This not only means that they are extremely easy to install, but also easy to use and operate.

All Marantec accessories are suitable for use with all of our openers, garage door and gate openers. Marantec products are also suitable for use with other-brand openers.

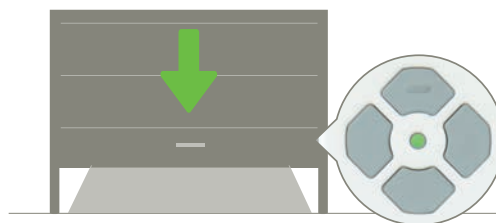


## Opening/closing your door

To open or close your door, simply press the corresponding command button on the hand transmitter or the interior push button.



If the door is in the process of **opening**, the LED will flash red (as shown here on the Digital 663 hand transmitter).



If the door is in the process of **closing**, it will flash green.

# Our bi·linked radio technology: Safe. Simple. Clever.

## Efficient – bi·linked

bi·linked reliably opens and closes your doors at the push of a button. It can also communicate with you. By simply pressing the status button, bi·linked will let you know with its LED indicator whether your door is open or closed – whenever you are out of sight. bi·linked is available as uni-directional and bi-directional version, i.e. with and without communication.

## Secure – bi·linked

Next to comfort, security is always top of our list. This is why our wireless bi·linked radio technology works with 128-bit encryption, which is the same key as is used in online banking. At the same time, it also uses a rolling code, which means that it transmits a different code to the opener every time the opening button is pressed, which makes it near impossible for the code to be copied or decoded. The transmitter is also highly resistant to interference and does not interfere with other wireless devices nearby.

## Straightforward – bi·linked

Thanks to the fact that bi·linked is wireless, there is no need for any cables between the individual devices. It also means that you can fit your accessories wherever they are most convenient for you and upgrade them at any time if your needs change. All of our garage door openers can communicate with our bi·linked accessories.

## Modern – bi·linked

Our Digital 633 bi·linked hand transmitter is not only extremely safe and comfortable to use, but is also a very sophisticated design object. A winner of the highly renowned international Red Dot Design Award, it will add an extra dimension to the simple act of opening your garage door.



More information about  
bi·linked can be found here:

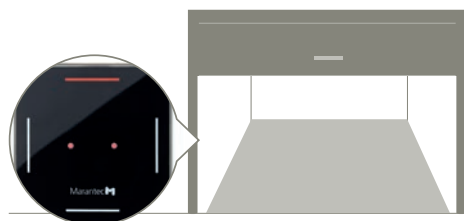


## Checking your door's status

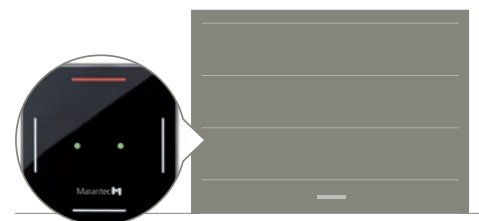
If, for example, you are inside your house and want to check whether your garage door is closed, you can **check the status of your door** on your hand transmitter or interior push button.



To check your door's status, press the **status button** and then the command button for the relevant door.



If the LED lights up red, it means that the door is **open** (as shown here on a Digital 644 interior push button).



If the LED lights up green, the door is **closed**.

# Our bi·linked hand transmitters

## Bi-directional hand transmitter



Bi-directional hand transmitters are equipped with a button for checking the door's position and 3 buttons for controlling various functions, such as operating up to 3 doors, switching the opener lights on and off, or raising the door for ventilation. They also feature an electronic key lock.

### Digital 663

- With a clip for fastening it to your sun visor in the car
- Supplied with a wall bracket
- Included as standard with Comfort 360, 370, 380 openers

### Digital 633

- Winner of the highly renowned Red Dot Design Award
- Fitted with an elegant rocker switch
- Supplied with a convenient magnetic wall holder



reddot design award  
winner 2012

## Uni-directional hand transmitter



Our uni-directional hand transmitters are optionally available with 2 or 4 buttons which can be programmed with different functions: To operate a number of different doors, switching the opener lights on and off, or raising the door for ventilation. The hand transmitter's electronic key lock can be used to protect it from accidental activation.

### Digital 572

- Small, convenient size for carrying inside trouser pockets or attaching to a keyring
- Included as standard with Comfort 360, 370, 380 and Comfort 260, 270, 280, 260 accu openers

### Digital 564

- With a clip for fastening it to your sun visor in the car
- Supplied with a wall bracket





# Our bi-linked accessories for indoor and outdoor use

## Fingerprint reader and code keypad



### Digital 528

The digital fingerprint reader is one of the easiest options for opening your doors. All you need to do is swipe your finger over it for the print to be read, which means there is no need to worry about a code or forgetting your hand transmitter. Our fingerprint reader is extremely secure thanks to its line sensor, over which the finger is swiped as opposed to pressed, which could put the fingerprint at risk of being copied later on. The device can be used to create and manage up to 20 user fingers. The Digital 528 can be used to operate two doors.



### Digital 525 and 526

Our radio code keypad is optionally available with a sliding cover, which provides the Digital 526 with extra protection against the weather. It can be used to open up to three doors by simply entering a 4-digit PIN code, without the need for a hand transmitter. It also allows you to provide a code to, for example, a delivery person that will be valid for three uses. Its spare button can be programmed with a function of your choice, such as for switching the opener's lights on and off.

## Interior push button



### Digital 644 and 645

These two wall-mounted digital switches have the same design as our award-winning Digital 633 hand transmitter. They feature two buttons which can be assigned different functions, such as operating two garage doors. All of your hand transmitters can be switched off by activating the holiday function at the push of a button, for that extra peace of mind. The Digital 644 also comes with an extra button for checking your door's position – perfect for use while inside the house. The Digital 645 is ideal for use inside garages because it also features a motion sensor for switching on the opener's lights.

# Our accessories – for even more **safety and comfort**



## Photocells

Photocells add an extra level of protection when it comes to opening your garage door. They monitor the area around your drive and garage door and will stop the opener immediately if there is an object in the way that interrupts the beam of light.



## Outside release

Every door opener has to have a manual release to allow you to open and close your door, for example, during a power cut. Marantec openers can generally be manually opened from the inside using their emergency release. If your garage does not have a second entrance, such as a side door, it will be fitted with an outside release which only you as the owner will have access to.



## Additional LEDs

Marantec garage door openers are supplied with ready-fitted LED lights. However, if you need more light, you can easily add extra modules at any time. Our LED lighting is extremely energy efficient and very durable.



## Solar module

Our Comfort 260 accu can also be connected to a solar module, which will allow you to run it on solar energy. Our high-quality solar panel only requires normal daylight to provide sufficient energy to operate the opener. The energy generated by the panel is stored in a rechargeable battery and drawn only when the door needs to be operated. Should the battery ever become completely empty, it can be easily recharged using a conventional domestic power supply.

## Openers for **outdoor** gates

Would you like to be able to open and close your sliding or swing gate at the push of a button? **Simple and easy to achieve using our gate openers.**



### Our swing gate openers

include various models designed to meet a wide number of different needs. No matter whether you need an opener for **extra large gateposts**, one that is virtually **invisible**, or an especially powerful opener for **very heavy doors**, one of our high-quality and highly durable openers is sure to fit the bill.

### Our sliding gate openers

are designed to automate small and large gates, light and heavy ones, old and new ones. Our range of sliding gate openers includes **post-mounted openers** for seamless integration into your fencing, and **highly compact openers**, that are **barely visible to the eye**.



### Operating all of your openers **with one and the same** hand transmitter

**Our accessories** are compatible with all Marantec openers. This means that you can operate your garage door and sliding or swing gate with one and the same hand transmitter or interior push button. Simple and safe.

Garage door openers

Underground garage door openers

Swing gate openers

Sliding gate openers

Parking barriers

Control units

Accessories



[www.marantec.com](http://www.marantec.com)

Marantec UK · A Division of Link Controls  
Stuart Road, Manor Park · WA7 1TS Runcorn, Cheshire

 + 44 1928 579050    + 44 1928 579259

No part of this brochure may be reproduced without our prior permission. Subject to changes.  
Please note that the openers and technical equipment shown in this brochure do not always represent the standard items included with a product.