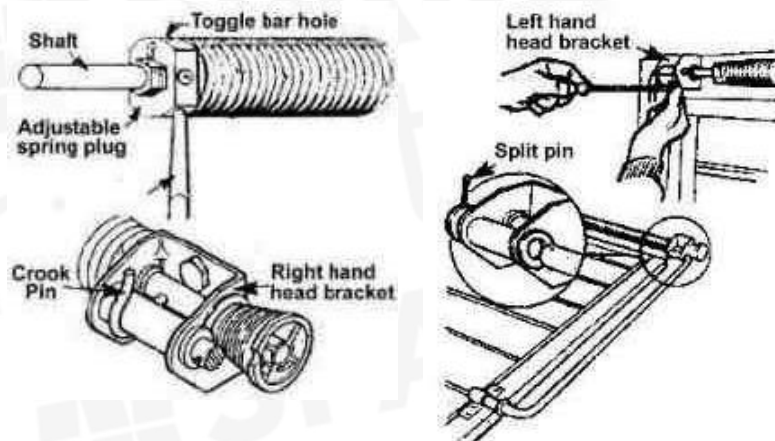


# Cone & Cable Fitting Instructions For Henderson Pre-Premiere

All work to be carried out from inside the garage.

Tools required: Screwdriver, Hammer, 4mm pin punch, 1/4" diameter toggle bar.

Note: You will need assistance when replacing and removing the crook pin. In order to ease the spring pressure place a 1/4" diameter toggle bar into the hole in the spring plug as shown, and turn it upwards. This will allow the crook pin to be inserted or removed.



Removal and replacement instructions.

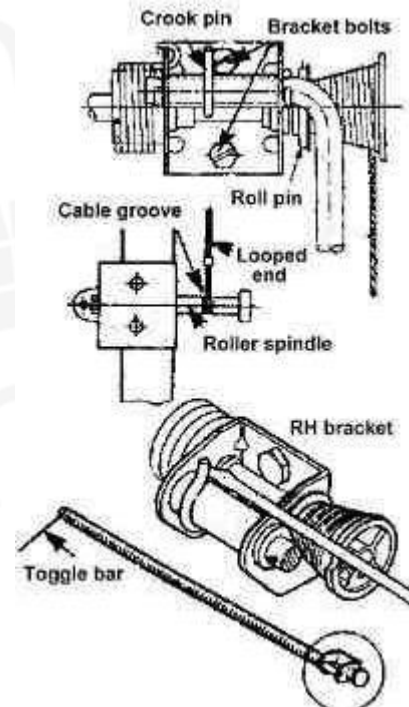
1. Remove the door as follows:
  - a. Insert the crook pin into the right hand head bracket
  - b. Wedge the door in the opening so it will not move
  - c. Unscrew and remove the side jamb channels
  - d. Remove the head bracket bolt and lower the spring
  - e. Lift the door from the opening

2. Remove the spring assembly by withdrawing the split pins holding the link arms to the head brackets. Remove the looped end of the cable from the roller spindles
3. Support the spring and drive the hollow roll pin from one cone using a 4mm pin punch. Remove the old cone and re-fit the replacement.

Note: change one cone at a time as they are handed left and right, (the cable must emerge the same way as the original). Repeat the procedure for the other cone making sure that both cables emerge from the cones on the same side of the shaft

4. Re-fit the spring and then reinstall the door by following the removal instructions in reverse. Before removing the crook pin ensure that the looped ends of the cable are within the recessed diameter of the roller spindle as shown

Note: You will need assistance when removing the crook pin. In order to ease the spring pressure place a toggle bar into the hole in the spring plug and turn it upwards and hold it while an assistant removes the crook pin using a screwdriver. Slowly lower the toggle bar whilst checking that both cables are routed correctly down the jamb channels and engaged correctly into the roller spindle grooves.



**Warning** - It is important that this instruction is followed correctly as personal injury, damage to cable or loss of pre-tension could occur.

5. Lubricate roller spindles, top latch and all other moving parts. To ensure continued ease of operation lubricate periodically.

All work is undertaken at your own risk.

SKU: HES1010